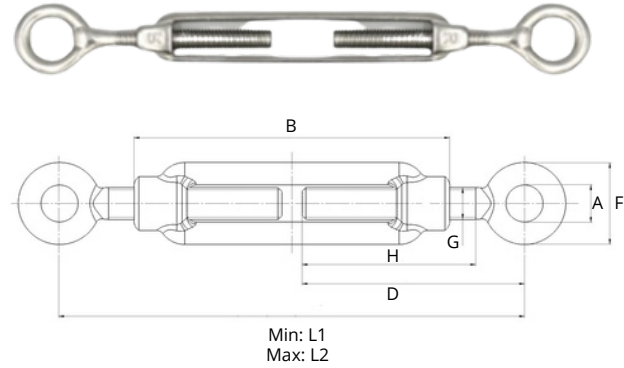


STRAINING SCREW EYE/EYE

Art number	G	L1	L2	D	B	A	F	Weight
	(mm)	(mm)	(mm)	(mm)	(mm)	(mm)	(mm)	(kg/pc)
4046050	M5	110	170	40	80	7	16	0,04
4046060	M6	140	208	50	110	9	20	0,06
4046080	M8	158	228	74	110	10	22	0,15
4046100	M10	180	280	60	130	14	31	0,21
4046120	M12	196	300	67	140	16	35	0,34
4046140	M14	233	365	83	170	18	40	0,50
4046160	M16	294	440	97	190	22	47	0,93
4046200	M20	352	510	116	220	24	52	1,42
4046220	M22	368	544	120	242	28	60	2,11
4046240	M24	386	563	125	255	28	65	2,76



Guidance on Dimensions:

Please note that the dimensions provided in this catalog are approximate. For precise measurements or tailored solutions, feel free to reach out to our customer service.